

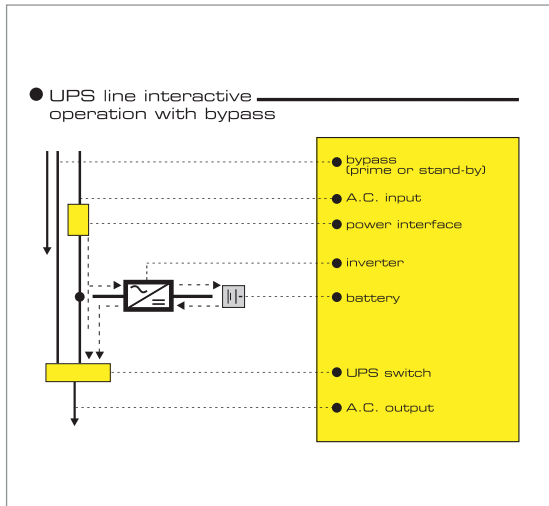
UPS line interactive series

Single phase



UPL series 0.7/1 KVA

Operating principle



In normal mode of operation, the load is supplied with conditioned power via a parallel connection of the AC input and the UPS inverter. The inverter is operational to provide output voltage conditioning and/or battery charging. The output frequency is dependent upon the AC input frequency.

When the AC input supply voltage is out of UPS preset tolerances, the inverter and battery maintain continuity of load power in stored energy mode of operation and the switch disconnects the AC input supply to prevent back feed from the inverter.

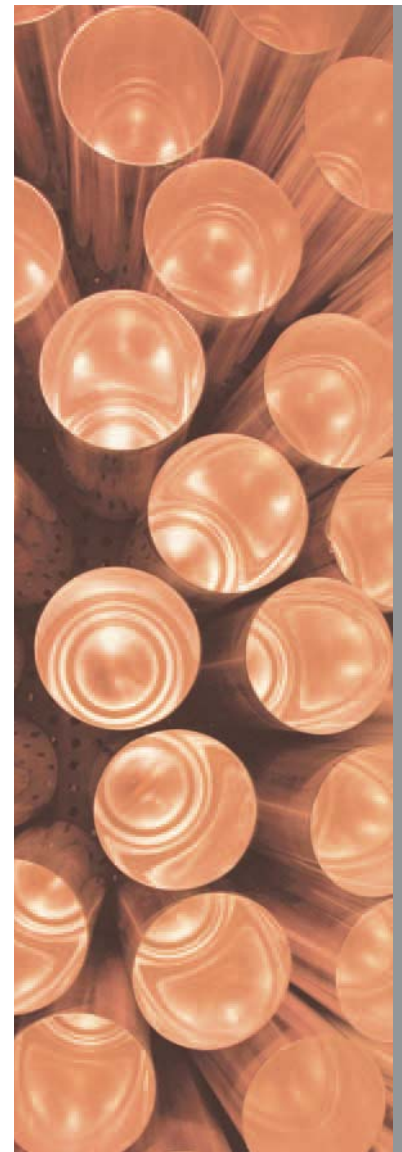
The units run in stored energy mode for the duration of time permitted by the charge of battery or until the AC input supply returns within UPS design tolerances, whichever is the sooner.

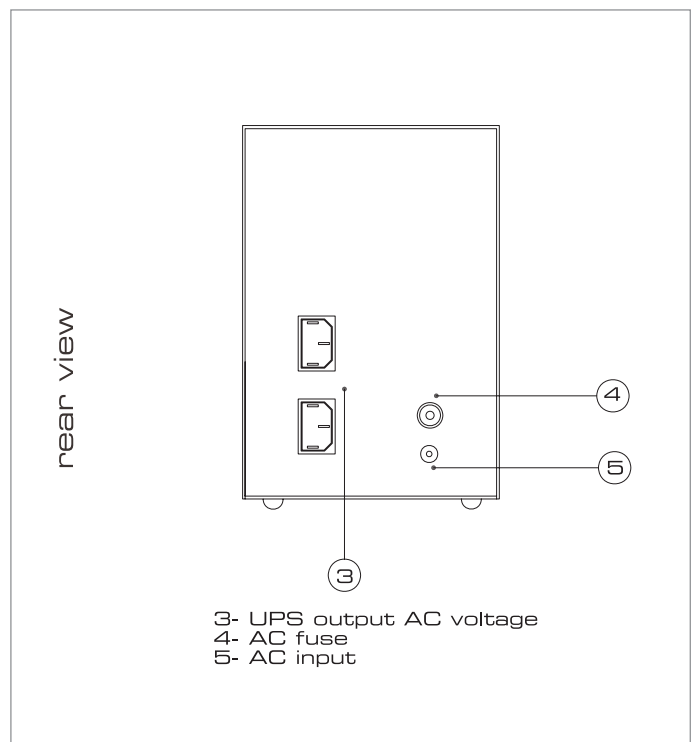
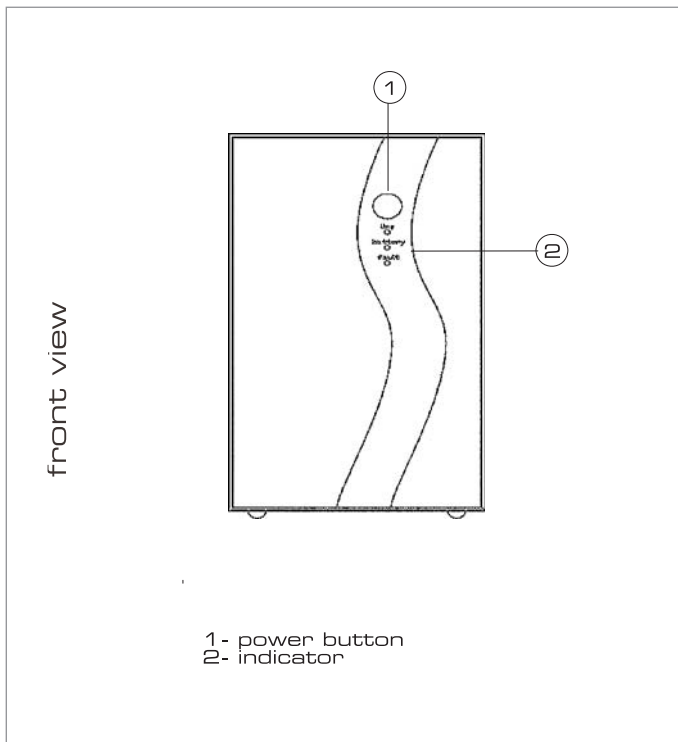
Main Features

- Line interactive technology
- Backup time: 10 to 20 minutes (internal battery)
- High efficiency
- Wide AVR range
- Easy installation
- Surge absorber
- State of the art Mosfet technology
- Overload and short circuit protection
- Compact and low noise
- Optimized for use with generators

Applications

- Computers
- House appliances
- LCD monitors
- Printers
- Routers





Characteristics

model		UPL.007	UPL.010
	Power rating VAW	700/420	1000/600
input	Voltage	220VAC± 25%(1 phase)	
	Frequency	50± 5Hz	
output	Voltage	220 VAC true rms(1 phase)	
	Voltage stability	± 10%	
	Frequency	50± 5Hz	
	Wave form	AC AVR sine wave output and inverter step wave output	
	Transfer time	<5ms	
	Power factor	0.6	
battery	Type	Valve regulated sealed lead-acid	
	Number	12V/1PCS	12V/2PCS
	DC voltage	12VDC	24VDC
	Recharge time	< 5 hours	< 4 hours
environment	Temperature	0°C to +40°C (+32°F to +104°F)	
	Relative Humidity	20...90%	
	Noise	<40dB at 1 meter	
physical	Weight (with batteries)	7Kg	12.5Kg
	Dimensions WxDxH (mm)	94x320x162	124x382x225
applicable standards	IEC 62040-1-1 (EN 50091-3)		

