

# Automatic Voltage Stabilizer (AVS/SVR)

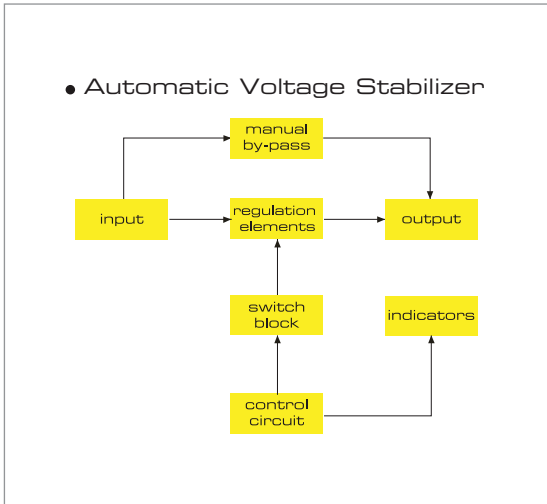
Single phase



ELECTRYS

## AVS/SVR series 6.6/40 KVA

### Operating principle



The Automatic Voltage Stabilizer is designed to protect the electrical equipments from voltage fluctuations in the main.

The Automatic Voltage Stabilizer Works by means of serial transformers resulting in a brown-out and micro black-out free operation. The direct triggering is made by power relay and contactors.

### Main Features

- Short circuit and overload protections are ensured by single phase circuit breaker
- Microprocessor control
- Cooling with fans
- The phase protection senses the high or low voltage conditions and cuts and indicates a fault condition
- Wide input range
- Swift response for voltage fluctuations
- Suitable for non-linear loads
- High efficiency

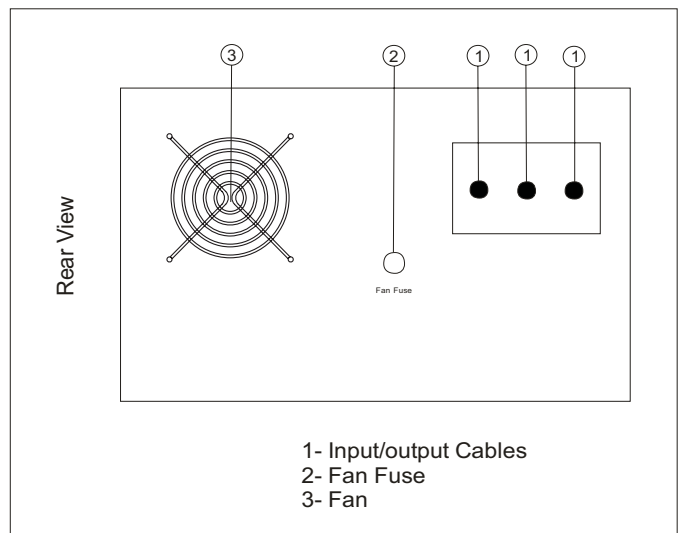
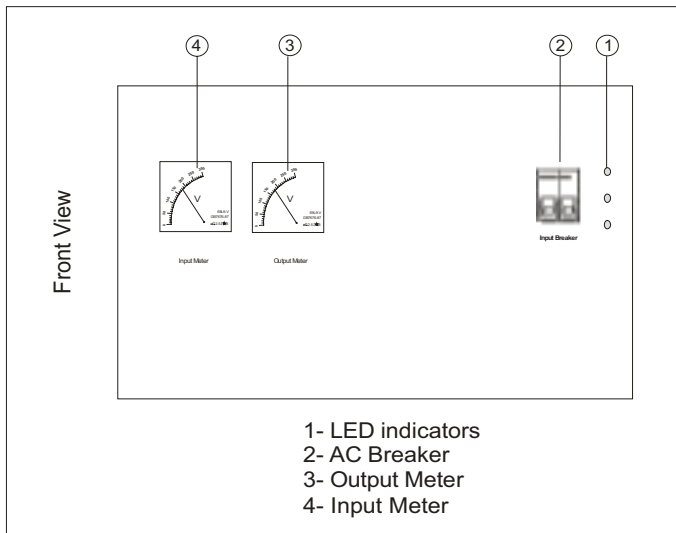
### Applications

- Telecommunication equipment
- Industrial processes
- House appliances

### Optional

- Digital meters instead of analogue meters
- Manual by-pass
- Other output tolerance
- Input and output voltmeters





## Characteristics

model	AVS/SVR	066	088	110	138	176	220	264	330	400
	Power (KVA)	6.6	8.8	11	13.8	17.6	22	26.4	33	40
input	Voltage (V)	160-240 (L-N)								
	Frequency (Hz)	50/60								
	Frequency tolerance (Hz)	±10%								
	Maximum current per phase (A)	30	40	50	63	80	100	120	150	180
output	Power (KVA) at lowest input voltage	4.8	6.4	8	10	12.8	16	19.2	24	28.8
	Voltage (V)	220 (L-N)								
	Voltage tolerance (%)	±4								
	Frequency (Hz)	50/60								
	Power factor	>0.9								
	Crest factor	Up to 3								
	Total harmonic distortion (%)	<0.5% for linear loads minimally transmitted to load								
general	Transfer time (ms)	0								
	Efficiency (%)	>90								
	Recovery	microprocessor controlled								
	Cooling	Fan								
	Protection degree	IP20								
	Overload	150% for 2 minutes								
	Design ambient temperature (°C)	0...40								
	Relative humidity (%)	20...90								
	Noise level at 1 meter (dB)	≤45								
	Weight (Kg)	70	75	80	85	90	92	145	170	180
Dimensions WxDxH (mm)	450x660x310						550x1100x360			

